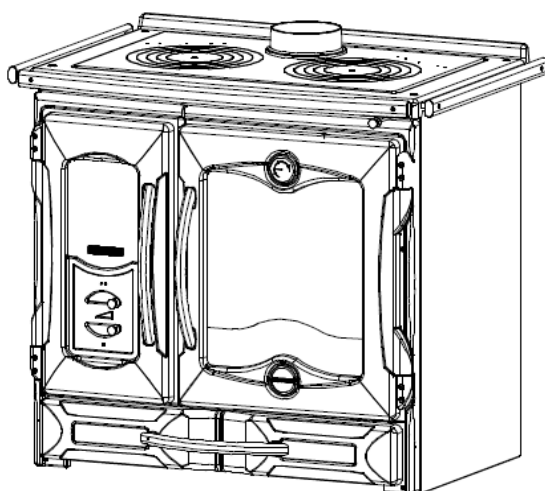




## INSTALLATION AND OPERATION INSTRUCTIONS FOR:



CE

### SUPREMA RANGE STYLE WOOD BURNING COOKER

Tested to EN12815

PLEASE READ THESE INSTRUCTIONS THOROUGHLY BEFORE INSTALLING,  
OPERATING OR SERVICING THIS APPLIANCE.

*Compliments for buying a Broseley Fires appliance.*

*ISSUE 08-B*

© 2007-2008 Broseley Fires Ltd

## **INTRODUCTION**

Please read the following instructions carefully to get the best from your new purchase.

The keys to safe, successful and efficient wood burning are good planning, correct installation and proper operation.

Modern homes have better levels of insulation and are more energy efficient, with more effective and better seals on doors and windows. This makes our homes easier to heat, but also means that solid fuel appliances must be more carefully designed so that they will function correctly in the energy efficient, modern homes of today. The more energy efficient a house is, the less fuel is required to heat it. Less fuel use means less impact on the environment.

The operation of our appliances, so that they do not produce excessive smoke (beyond the initial light up and reloading periods) is most important. When our appliances are not smoking, it is an indication that it is being operated correctly and efficiently.

The flames that are seen inside the appliance are not the fuel burning, but the carbon particles and gases that are released from the fuel once it has been heated to a sufficiently high temperature. The escape of any unburnt particles and some gases into the atmosphere are the cause of air pollution.

Our appliances are designed to ensure that the combustion of all gases and particles takes place within the firebox, to maximize the heat output of the appliance and to minimize the discharge of particulate emissions to the atmosphere.

It is important therefore, for appliances to be operated in accordance with our instructions in a manner that maintains a high temperature in the firebox with an adequate supply of air to ensure efficient combustion. A good indication of efficient combustion is a bright lively flame in the firebox. A dull flame or smoldering fire indicates poor or incomplete combustion.

To maintain adequate heat in the firebox, it is very important to use dry, well seasoned wood with less than 20% moisture content. The wood must be correctly sized for the particular appliance and it also helps to have at least three or four pieces burning at the one time to assist the combustion process.

Adding single pieces of unseasoned or wet wood to a fire will reduce the firebox temperature and prevent adequate combustion. This will result in increased smoke emissions causing the flue and internal components of the appliance to become blocked with tar and creosote more quickly. The tar and creosote deposits in the chimney will fuel a chimney fire.

These instructions cover the basic principles to ensure the satisfactory installation of the stove, although detail may need slight modification to suit particular local site conditions. In all cases the installation must comply with current Building Regulations, Local Authority Byelaws and other specifications or regulations as they affect the installation of the stove.

It should be noted that the Building Regulations requirements may be met by adopting the relevant recommendations given in British Standards BS 8303, BS 6461 and BS 7566 as an alternative means to achieve an equivalent level of performance to that obtained following the guidance given in Approved Document J.

We recommend that you seek the services of an installer who is conversant with stove installations and Building Regulations. The shop where you purchased the stove should be able to help in this respect. It is our general policy to supply specialist Fireplace shops and these shops can offer an after sales service and offer advice when necessary.

**Please note that it is a requirement under Broseley Fires Ltd's warranty system that the installation of the appliance is carried out by a Competent Person registered with a Government approved Competent Persons Scheme. HETAS Ltd operate such a Scheme and a listing of their Registered Competent Persons can be found on their website at [www.hetas.co.uk](http://www.hetas.co.uk).**

## INDEX

- 1. TECHNICAL DATA
- 1A. HEATABLE AREA (VOLUME)
- 2. KEY ENVIRONMENTAL CONSIDERATIONS
- 3. TECHNICAL DESCRIPTION
- 4. THE AIR CONTROLS
- 4A. THE PRIMARY AIR CONTROL (turning valve)
- 4B. SECONDARY AIR CONTROL (slider)
- 4C. FLUE DAMPER CONTROL BAR (pull push lever)
- 4D. OVER-FIRING WARNING
- 5.0 FUEL ADVICE
- 5A BURNING WOOD
- 6.0 INITIAL BURNING & CURING OF THE STOVE.
- 6A USING YOUR STOVE - IMPORTANT NOTES
- 7.0 OVEN OPERATION
- 8.0 LIGHTING AND MAINTAINING A LOG FIRE
- 9.0 ASH REMOVAL
- 10.0 WOOD ASH DISPOSAL
- 11.0 OPERATING IN TRANSITION PERIODS (SUMMER)
- 12.0 MAINTENANCE - CLEANING THE APPLIANCE
- 13.0 RECOMMENDED CLEANING PRODUCTS
- 13A DAILY CARE
- 13B CLEANING THE OUTSIDE OF THE APPLIANCE
- 13C ASH REMOVAL
- 13D GLASS CLEANING
- 14.0 FLUE MAINTENANCE
- 14A ROPE SEALS
- 14B AIR CONTROLS

### INSTALLATION OF THE APPLIANCE

- 15 FLUE REQUIREMENTS
- 16A LINING THE FLUE
- 16B FLUE TERMINATION
- 16C PROVISION OF A NOTICE PLATE
- 17 SITING THE APPLIANCE
- 17A HEARTH REQUIREMENTS
- 18 ADDITIONAL VENTILATION
- 19 ASSEMBLING THE HANDRAILS

### DIMENSIONS

ANNUAL SERVICE RECORD

LIMITED WARRANTY

## 1. TECHNICAL DATA

	<u>SUPREMA</u>
TOTAL POWER OUTPUT	8Kw
OUTPUT TO WATER	N/A
OUTPUT TO AIR / THE ROOM	7,5
WOOD CONSUMPTION / HR ( wood with MAX 20% humidity )	2.5 kg/h (MAX)
<b>MINIMUM FLUE PIPE DIAMETER</b> (adaptor for spigot reqd. 137mm to 150mm)	150mm / 6inches
BOILER CAPACITY	N/A
OVEN SIZE W-D-H	418x428x436
FIREBOX SIZE W-D-H	277 x475x304
FLUE DRAW (HOT) (Tested after one hour) MUST NOT EXCEED 25 PASCAL.	1,0-1,2 H <sub>2</sub> O (water gauge) 10 - 12 PASCAL 0,1 - 0,2 INCHES
BOILER FITTINGS (flow and return)	N/A
FREE AIR VENT SIZE	550 mm <sup>2</sup> minimum + 550 mm <sup>2</sup> per KW over 5
TOTAL WEIGHT OF THE APPLIANCE	216KG
WIDTH (with hand rail fitted)	982mm
DEPTH (with hand rail fitted)	SLIGHTLY LESS
HEIGHT from floor to top of lid (with lid shut)	924mm
HEIGHT from floor to top of lid (with lid open)	1224mm
HEIGHT from floor to cooking surface	854mm
TEMPERATURE OF EXHAUST GASSES	WOOD= 205 °C

PLEASE REFER TO ATTACHED TECHNICAL DRAWING FOR OTHER DIMENSIONS NOT LISTED HERE

### 1A. HEATABLE AREA (VOLUME)

The heating volume of the appliance; according to DIN 18893; will vary depending on the amount of thermal insulation that the property has. Properties with high ceilings, draughty windows and doors, solid brick walls and poor insulation, all these are all going to affect the potential maximum heating volume of the appliance. A proper heat loss calculation is the best way to calculate the heat requirement for a particular property. When the outside temperature is zero degrees, 1KW will heat a room to approximately 70 degrees f.

Property with:

Well insulated =	25 cubic meters
Average insulation =	15 cubic meters
Poor insulation =	10 cubic meters

## 2. KEY ENVIRONMENTAL CONSIDERATIONS

To minimize the impact on the environment the following issues need to be considered when proposing to install a solid fuel appliance:

- Local authorities (Councils) must be consulted for any restrictions that may apply to the use of solid fuel appliances in certain areas such as smoke free zones.
- The appliance must be correctly sized to suit the space and necessary clearances must be strictly adhered to.
- The appliance and flue system must be correctly installed to the current regulations in force at the time.
- The appliance must be correctly operated.
- The appliance and flue system must be properly maintained.
- It is also important to ensure that the dwelling to be heated is insulated and is as energy efficient as is practical.
- The correct fuel must be used.

The selection, installation, correct use and maintenance of solid fuel appliances and flue systems are discussed in more detail in the following sections of these instructions.

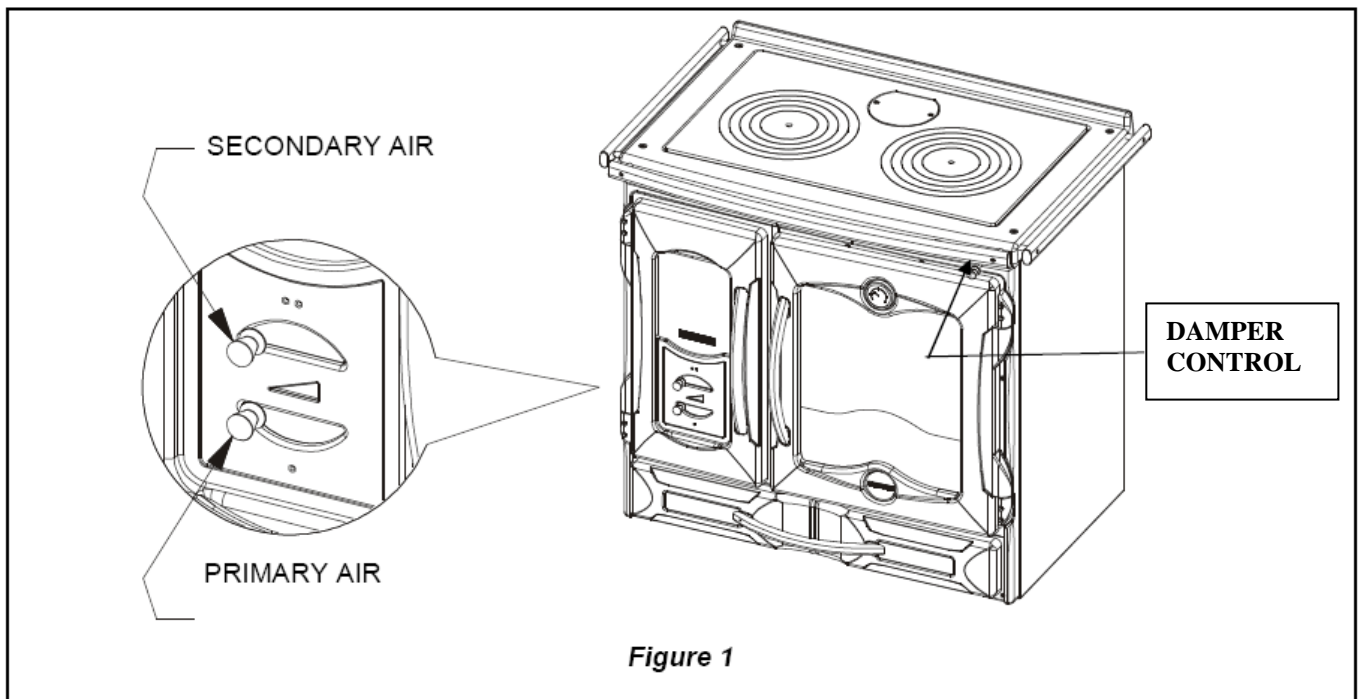
### **3. TECHNICAL DESCRIPTION**

These continuous fire cookers are suitable for cooking on the hob and in the oven. They will also heat living spaces or support a central heating system. They are ideal for holiday apartments and weekend houses or as a heating / cooking system during the whole year. The cooker is designed to burn wood as it's primary fuel source. The cooker is made of galvanized metal sheet and enameled cast iron. Inside the fire chamber, there is a flat, cast iron grate. The boiler wraps around three sides of the chamber and also protrudes over the top of the oven.

To optimize the efficiency of the boiler, its corrugated shape has been designed to give a greater surface area; this transfers heat more efficiently. The appliance has a panoramic door, fitted with ceramic glass (resistant up to 700 °C). This allows a wonderful view of the fire as it burns.

Under the oven and fire chamber door, there is a storage compartment, furnished with a cast iron door that has a chrome handle to match the rail and other handles on the appliance.

The heating of the room in which the cooker is located is achieved through the external surfaces of the cooker. The appliance is equipped with primary and secondary air controls, by which it is possible to control the burn rate and hence the output of the appliance. There is a damper control for when you wish to operate the oven. Only operate this when the fire is burning well and established.



### **4.0 THE 'AIR' CONTROLS**

The stove is fitted with controls that adjust the flow of air into the unit. It is very important that these controls are fully understood in order to achieve the best results from your stove.

When operating the controls, ensure that they are used in small increments and not changed by large amounts suddenly. Do not use them like an on - off switch.

It is important that the following controls are used correctly, in order to avoid poor output as well as over-firing **See chapter on OVER-FIRING.**

The air controls are as follows:

- PRIMARY AIR CONTROL
- SECONDARY AIR CONTROL (AIR WASH)
- DAMPER CONTROL

#### **4A THE PRIMARY AIR CONTROL (slider)**

The primary air control is found on the front left hand door, it is in the style of a slider. See fig 1.

This will be used mainly when first lighting and establishing a new fire. This control allows combustion air to enter the appliance from below the grate.

When the slider is moved to the left, it is letting less combustion air in. When slid to the right, the regulator is opening, letting more combustion air in.

#### **4B SECONDARY AIR CONTROL (slider)**

Also on the left hand door is the 'secondary air control' in the style of a slider. See fig 1.

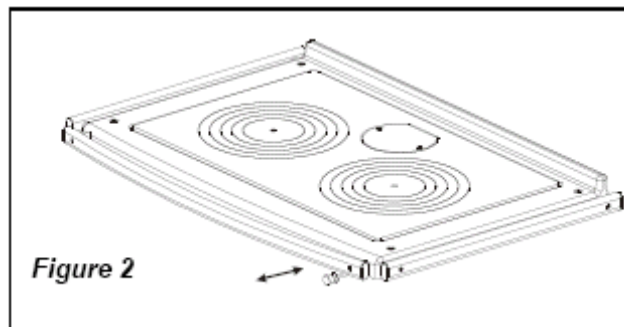
Combustion air entering the stove through this vent will be directed down the inside of the glass panel, this is known as the 'air wash system'. It helps to keep sooty deposits from sticking to the glass and obscuring the view of the flames. Having clean glass also improves the heat radiation to be uninterrupted.

This control will primarily be used to control the combustion rate once a fire is established. When the slider is moved to the left, it is letting less combustion air in. When slid to the right, the regulator is opening, letting more combustion air in.

#### **4C FLUE DAMPER CONTROL BAR (pull push lever)**

The 'flue damper control', in the style of a pull push lever, can be found on the top right corner of the front side of the cooker, between the protection bar and the oven door.

FLUE DAMPER  
CONTROL



This control has two settings.

- **HOB COOKING ONLY:** When the bar is pushed to the back of the cooker, the combustion gases flow over the oven and directly into the flue and up the chimney.
- **OVEN COOKING:** When the control bar is pulled out, the hot combustion gases flow around the oven, heating it, then they exit the stove. This control is operated, only when the fire is established and burning HOT.

**PLEASE READ CHAPTER ON 'Lighting and maintaining your fire' FOR FURTHER INFORMATION.**

#### **4D OVER-FIRING WARNING**

IT IS EXTREMELY IMPORTANT NOT TO LEAVE ALL OF THE AIR CONTROLS FULLY OPEN. LEAVING THE AIR CONTROL FULLY OPEN WILL LEAD TO "OVER-FIRING". OVER-FIRING IS CAUSED WHEN TOO MUCH HEAT IS GENERATED WITHIN THE FIRE CHAMBER, THIS WILL LEAD TO WARPING, BUCKLING AND GENERAL DAMAGE TO THE STOVE AND ITS INTERNAL COMPONENTS. OVER-FIRING CAN ALSO BE CAUSED BY RUNNING THE APPLIANCE WITH THE DOOR(S) OPEN OR IF YOU HAVE AN EXCESSIVE FLUE DRAW.

**PLEASE NOTE ANY DAMAGE TO THE APPLIANCE CAUSED THROUGH OVER-FIRING WILL NOT BE COVERED BY THE WARRANTY.**

## **5.0 FUEL ADVICE**

These appliances have been developed to burn wood. The results quoted in our literature are from test firings carried out using beech logs with a moisture content of less than 20%.

## **5A BURNING WOOD**

Hardwoods and Softwoods both have exactly the same calorific value pound for pound, however softwoods will burn nearly twice as fast as hardwoods meaning re-fuelling intervals will be shorter. Most firewood you purchase will be green and have a fair amount of water content. It will need to be stored in a well ventilated shelter to season it. Wood used in this appliance must have a moisture content of less than 20%. Damp or wet wood will quickly form tar deposits on all the internal areas where the combustible gasses travel, preventing the efficient release of heat from the appliance.

The inside of the chimney/flue will also be coated, there is a greater risk of a chimney fire occurring.

Always use good quality wood, store it under cover in a well ventilated area.

Avoid burning oak bark, as this forms tar at a very fast rate.

When selecting wood, also take into consideration ease of splitting, ease of ignition and burning, how much smoke it produces and its "coaling" qualities. "Coaling" refers to the ability of a species of wood to form a long-lasting bed of hot coals when burned. Coaling qualities improve with wood of a higher density. Wood is not a long burning fuel and so it is not possible to keep the stove in overnight.

## **6.0 INITIAL BURNING AND CURING OF THE APPLIANCE**

The first time that the appliance is lit, there will be an odour given off. This is the components of the appliance curing. It will be necessary to ventilate the room in which the appliance is sited.

The first firing needs to be done carefully to allow all of the components of the appliance to settle gradually. Never try to run the appliance flat out the first time you light it. Gradually build up the output of the fire so that no sudden stresses are put on the components of the appliance.

## **6A. USING YOUR STOVE - IMPORTANT NOTES:**

This appliance must be installed and commissioned by a fully qualified, registered engineer. HETAS engineers are recommended by Broseley Fires. For your nearest search [www.hetas.co.uk](http://www.hetas.co.uk)

**THE SURFACES OF THIS APPLIANCE GET HOT WHEN THE APPLIANCE IS LIT. PLEASE ENSURE THAT CHILDREN, THE ELDERLY AND THE INFIRM ARE MADE AWARE OF THIS.**

- Serious damage may result if the appliance is left running with the air controls fully open for extended periods.
- Make sure that none of the doors are left open while the appliance is in operation.
- Never leave the appliance unattended during the initial lighting sequence.
- Do not attempt to open the door immediately after igniting the fire. This could cause a flame flash out.
- Always wear the protective gloves when operating the appliance.
- Never burn woods containing paint, glue or any other chemicals
- Do not overload the appliance with fuel (consult the technical table- maximum allowable quantities)
- Never use chemicals or fluids such as gasoline, charcoal lighter, drain oil or kerosene to light a fire.
- Using the appliance on a very low output will cause excessive amounts of tar to build up inside the flue and can be a serious fire risk, as this will fuel a chimney fire. Have the flue cleaned and serviced more regularly.
- We advise that you have the appliance serviced annually by a competent heating engineer before the beginning of a new heating season.
- Do not cover the permanent air vent that your heating engineer has installed; this is necessary for the correct combustion of the appliance and your safety.

## **7.0 OVEN OPERATION (only once fire is well established)**

Don't pull out the damper control for the oven until the fire is established and creating a high heat output.

- **If you wish to use the oven**, open the damper control by pulling the control rod. Once the fuel is burning intensely, the hot smoke can be sent round the oven to heat it. If you operate the damper too quickly when the fire is not hot enough, this will create tar deposits that will stick to the outside of the oven walls, these tar deposits will substantially reduce the speed at which the oven gets up to temperature. You will need to remove them to allow the appliance to operate efficiently.
- To check if your stove is burning effectively, burn your stove at different rates, go outside and check the emissions from your chimney. The absence of BLACK smoke indicates that your stove is burning cleanly and effectively.

## **8.0 LIGHTING AND MAINTAINING A LOG FIRE**

All chimneys and flues act differently. After a while, you will find out how your unit works best for starting.

- Use crumpled up paper and dry kindling to start the fire. Lay these on the grate.
- Open the primary and secondary air controls.
- The damper control (just under the hand rail) should be pushed in. This will open the damper to the chimney fully and create the best condition for the lighting of the fire.
- It will take a few minutes for the fire to establish itself.
- When the fire is burning hot, add small pieces of hardwood.
- Keep both of the air controls fully open till a bed of hot, glowing embers is established.
- Once you have some red hot burning embers, open the door and rake the embers evenly over the grate before adding larger pieces of wood.
- We suggest that you do not fully load the appliance until you have become completely familiar with the operation of ALL the controls.
- For best results, in an ideal situation, keep the secondary air control open and close the primary air control. The output of the appliance can now be controlled using the secondary air control. The secondary air control will help keep the glass clean as it incorporates 'air wash' technology.
- Do not open the loading door too quickly when reloading the appliance as this can cause flames to flash out the door. This occurs when there is unburned fuel and a large amount of gases in the top of the firebox. When the door is opened, oxygen is combined with the gases and these ignite, causing a 'mini explosion'.
- The maximum size of log, when refuelling an established fire, should be 30 cm's long and 30-40cm's in circumference.
- DO NOT overload the fire chamber with wood, as this may smother the fire and potentially cause it to go out.
- Do not burn painted or varnished woods, MDF, oak bark or wood with more than 20% humidity.

## **9.0 ASH REMOVAL**

- The removal of the ashes should be done when the appliance is cold.

Ash must be removed periodically for the correct and efficient operation of your appliance.

Don't wait till the ash pan's completely full. The frequency of this ash removal will depend on the type of wood being burned as Softwoods and hardwoods create differing amounts of ash.

Keep in mind that cleaning your appliance boosts its efficiency, as ash, soot or tar deposits will block the heat from coming out of the appliance and also the transfer of heat to the oven and hob.

Excess ash in the pan can cause the fire to go out and may also cause severe damage to your grates. If there is ash inside the ash pan chamber, this will also need removing. Take care when removing the ash, as small bits of hot embers can stay dormant for long periods when buried in ashes. These will then flare up again when exposed to oxygen, some knowledge of proper ash removal is required for safety. Here are the important points:

Remove ashes to a metal container using a small trowel. Never vacuum the ashes unless it is a genuine 'Ash Vac'. This is a vacuum you can buy at hearth shops; it is specifically designed for ash removal.

- Place the filled ash bucket on a non-combustible surface such as stone, concrete, brick, or slate, as the heat will transfer through the bottom of the container. Fit a lid for extra safety.

For your own protection, a pair of heat proof gloves and a dust mask may be necessary.

## **10.0 WOOD ASH DISPOSAL**

The best thing to do with your ashes is to put them in your garden. Wood ashes are high in potassium, calcium, sodium, magnesium, and phosphorus.

Wood ash will make your soil more alkaline, so apply it appropriately for your soil.

In areas where of high rainfall, this is a benefit because the soils there are typically acidic.

Dry areas tend to have more alkaline soil, so adding wood ash might be a problem.

If you have no garden, you can dispose of completely cold ash with your household trash.

Place it in a tightly closed bag to keep it contained.

## **11.0 OPERATING IN TRANSITION PERIODS (Summer)**

When the outside temperature gets to be more than the temperature within the property, there is a strong possibility of the flue working in reverse. If the appliance is not lit, this will cause the draught of the flue to travel in a downward direction and the smell of smoke will be obvious in the room.

If you experience problems lighting the appliance because of the greater outside temperature, then it will be necessary to warm the flue before loading the appliance with kindling. There are various methods for this procedure. Ask your local supplier or registered chimney sweep for advice.

If the fire is lit, the heat output of the appliance is often reduced and the exhaust gases may not come out the chimney completely. This can cause them to come back into the room.

In this case,

- Shake the embers more frequently
- Increase the air for combustion
- Load a reduced quantity of fuel.

This will help to keep the chimney hot and working efficiently.

Check that all the seals of the appliance are in good order and that the connections to the chimney are also sound.

## **12.0 MAINTENANCE - CLEANING THE APPLIANCE**

Take great care choosing the products you use to clean your appliance. A major amount of cleaning can be carried out using hot soapy water and a soft cloth. Using the wrong products will cause damage to its surfaces. Never use bleach or chlorine based products, caustic cleaners, paint solvents, biological powders, coarse abrasives or salt.

Never mix different products as they may cause a chemical reaction with each other and cause harm to either you or the appliance.

## **13.0 RECOMMENDED CLEANING PRODUCTS**

For the more stubborn stains, a mildly abrasive cleaner should be used, such as 'Astonish'.

This is safe to use on enamel surfaces. Do not use Astonish on the chrome components.

*For any further information, please contact your Dealer!*

### **13A DAILY CARE**

To keep the surfaces of your appliance bright and clean, a daily wipe over with a lint free cloth, soaked in hot water and a little soap is all that is needed.

To buff the cleaned surfaces, a soft, dry, lint free cloth should be used.

In order to keep your appliance in tip top condition, it is necessary to wipe up any spills or condensation streaks as soon as is safe to do so. (i.e. when the unit is cold)

This will prevent the mark burning onto the appliance and becoming a much tougher stain to remove at a later date, or causing a permanent mark. Try not to use excessive amounts of water when cleaning the appliance.

### **13B CLEANING THE OUTSIDE OF THE APPLIANCE:**

The appliance has three main surface finishes; These should be cleaned when the appliance is cool.

The cooking surface is cast iron and can be cleaned with a lint free damp cloth. Do not leave this surface wet as it will go rusty.

The side panels of the stove are Italian Majolica tiles that are completely hand-made.

The majolica tiles may show micro crackles, speckles, and shadings. These characteristics certify their precious origin.

For the cleaning of the majolica tiles, we suggest you use a soft, dry cloth; do not use detergent or liquid, the latter might soak in and make the crackles more visible.

The doors of the appliance are solid cast iron and painted with heat proof paint. These can also be cleaned with a lint free damp cloth and then wiped over with a dry cloth. Should re-painting be necessary, contact your local supplier for a can of paint.

### **13C ASH REMOVAL:**

Not only does the appliance need to have the ash removed from the ash pan and fire chamber, but also from around the outside of the oven. Because of the way in which the appliance works; by sending hot smoke and gasses around the oven before exiting up the chimney; there will inevitably be soot deposits on these components.

To clean these out, it is necessary to remove the hob rings and then the hob ring surround. It is only held in position by its weight and care should be taken when lifting because of this.

Once removed, you will have access to the area above the fire box and the top of the oven.

To get access to the area down the right hand side of the oven, remove the rectangular plate to the right of the hob ring surround. This also just lifts out.

To gain access under the oven, you can remove the access plate (located behind the oven door). This is easily done by removing the two screws at the front edge of the plate. This plate has been sealed in position using a heat proof silicone sealant. This may need to be reinstated if the old seal leaks when the plate is replaced.

The efficient operation of your appliance is dependant on its correct operation and maintenance. Leaving soot to accumulate inside the areas mentioned above, will drastically reduce the output of the appliance and prevent it from doing what it is designed to.

### **13D GLASS CLEANING:**

There are various glass cleaners you can buy at stove shops that are specially designed to remove hydrocarbon (soot) and fly ash (mineral) deposits from the glass. Follow the manufacturer's instructions. Typically, just spray a small amount of cleaner on the glass and use a paper towel or rag to wipe it clean. If you only burn logs in your appliance, then you can dip a damp cloth in the ash and use this to scrub the glass clean.

### **14.0 FLUE MAINTAINENCE:**

If your appliance is installed into an existing chimney, you will need to clean the chimney as well as the flue pipe at least twice a year. To do this you will need the appropriate sized chimney brush and rods. Call a certified chimney sweep (National Association of Chimney Sweeps) or other qualified professional to clean the flue system. These professionals have the equipment and the experience to do a thorough job. The sweep will advise you as to the intervals that you should have your flue swept. We would recommend that you have it swept at least twice a year, but you may need to sweep it more.

Get them to inspect the condition of all the associated chimney items at the same time. Be sure to check the pipe at least once every six months to determine if it has corroded.

### **14A ROPE SEALS:**

For the appliance to operate correctly, it is important that all the seals; where fitted; are in good condition and are sealing correctly. They should be replaced if they are showing excessive signs of fraying and are not making a good seal. They are glued into position using a high temperature, flexible, silicone sealant

### **14B AIR CONTROLS:**

Ensure that all the air controls operate smoothly and are free from ash or other foreign bodies. Pay particular attention to the damper flap at the rear of the ash drawer. Clean this area with care and ensure that excessive amounts of ash are kept from building up and affecting the operation of this control.

## INSTALLATION OF THE APPLIANCE

### 15.0 FLUE REQUIREMENTS

The chimney is possibly the most important part to your installation; great care should be given to its design. An older chimney, in need of repair, is a fire hazard in any installation.

The chimney must be thoroughly swept, checked for soundness and suitability, before any connection is made to the appliance. This must be carried out by a qualified person.

- This appliance must be installed into a '**Class 1 Chimney**'. If there is no existing chimney, then an approved solid fuel, factory built, prefabricated block type or a twin walled, stainless steel flue can be used. Get advice from a qualified chimney engineer. Flue sharing is not allowed.
- The flue diameter of this appliance must be a minimum of 150mm.
- If excessive draw is present, then a suitable 'flue draught stabilizer' should be fitted.

If the chimney suffers from down draught, then a special 'anti-downdraught' cowl will need to be fitted. In exposed windy locations, a 'stabilizing' cowl may need to be fitted. The minimum cowl requirement that we recommend, is a rain cowl with a bird guard.

- To perform satisfactorily, the chimney height must not be less than 4 meters from stove to cowl.
- Adequate access for sweeping the flue, such as a soot door, must be provided.
- Flue pipe should be fitted inside the flue pipe collar (spigot) to prevent creosote and condensates from running down onto the top of the appliance. (see specifications for exact collar sizes)
- All flue pipe has to be suitable for solid fuel and fitted in accordance with building regulations, whilst complying with current legislation and manufacturers' instructions.
- If a rear flue is able to be fitted, the horizontal length must be no longer than 150mm.

### 16A LINING THE FLUE

An insulated chimney is the most efficient and safe way to burn wood.

Tar deposits condense in a cool chimney. An insulated chimney helps prevent these deposits.

A standard chimney will gradually get saturated in tar, this is a fire hazard.

Tar stains may appear on the surface of the chimney breast inside the property.

### 16B FLUE TERMINATION



The height and termination of the flue is an important part of the installation and consideration needs to be made to ensure that the flue is high enough to create sufficient draft to clear the products of combustion. The termination of the flue outlet position which can meet the requirements in common circumstances are shown in Document J. If there are unusual circumstances that will affect the efficient and safe removal of the products of combustion; the height and/or the separation distances shown in Document J may need to be increased.

### 16C PROVISION OF A NOTICE PLATE

A notice plate must be durable and be fixed on site, where a hearth, fireplace flue or chimney is provided or extended (including cases where a flue is provided as part of refurbishment work). Building regulations states that the responsibility for achieving compliance with the requirements of Part J rests with the person carrying out the work and so this person must be competent in the work they are being asked to do.

## **17.0 SITING THE APPLIANCE**

This appliance must not be fitted into a location where it will be impossible to service. The location must comply with the requirements laid down in the building regulations.

### **17A HEARTH REQUIREMENTS**

It is essential that the hearth / base on which the appliance will stand is strong enough to support the weight of the appliance and the chimney / flue. If not, independently support.

It must be level and made of a suitably robust, non combustible material.

The positioning of the appliance and dimensions of the hearth must comply with current building regulations.

A constructional hearth needs to be at least 125mm thick.

It must extend at least 150mm each side of the appliance.

It must project at least 300mm in front of the appliance.

A change in level of at least 12mm is advised to mark the perimeter.

There should be a 50mm air space under the constructional hearth if combustible material is present OR the combustible material should be 250mm below the top of the hearth.

The superimposed, decorative hearth is laid on top of the constructional hearth.

### **STOVE CLEARANCES TO FLAMMABLE MATERIALS**

- The minimum distance from any flammable object, or one that is sensitive to heat, (furniture, wood, fabrics. etc.) and from materials with flammable structure, must be 20 cm's to the rear and both sides.
- In front of the cooker there must not be any flammable object or building material, sensitive to heat within 100 cm's.
- Above the cooker, there must not be any flammable items within 700mm.
- Never deposit / store any flammable materials near the stove.

### **STOVE CLEARANCES TO NON - FLAMMABLE MATERIALS**

- The minimum distance from any NON FLAMMABLE object, or one that is NOT sensitive to heat, (stone brick slate etc.) and from materials with non flammable structure, must be 100 mm's to the rear and on both sides.

PLEASE REFER TO BUILDING REGULATIONS "WALLS ADJACENT TO HEARTHES" for further information.

Where the hearth abuts a wall and the appliance is more than 50mm but not more than 300mm away:

- The thickness of the wall needs to be at least 75mm.
- The height of the wall needs to be at least 1.2M above the hearth.

## **18.0 ADDITIONAL VENTILATION**

There must be sufficient free air for combustion into the room where the appliance is installed.

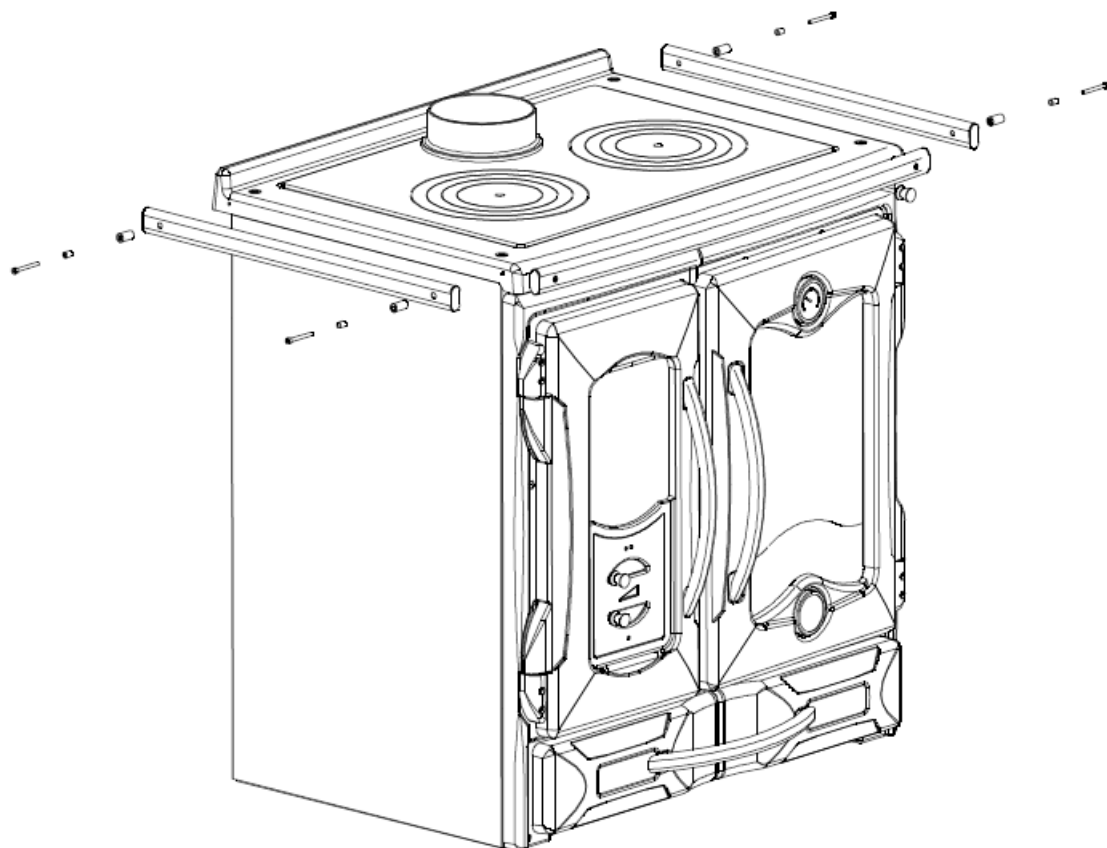
Permanent openings or vents must not be covered. Vents needs to be positioned carefully, they must be protected from direct wind conditions. A baffle that has been specially designed to fit over the vent will protect it from the effects of wind, but must not restrict the total vent area and must be secured in a way that prevents its movement. Regular inspection of any vents is critical to ensure that the vent has not become restricted. The appliance may require up to 20 m<sup>3</sup>/hour of combustion air. The natural recirculation of air must be guaranteed by having permanent ventilation to the outside.

An extractor fan, cooker hood or similar product, installed in the same room, or in a room nearby; that sucks air out (aspirating); may negatively affect the functions of your cooker.

If the room contains more than one appliance; of the type that requires combustible air; a calculation will need to be made to re-calculate the permanent air vent requirement.

Please see the 'Specifications' list at the front of these instructions or refer to current building regulations for fixed additional ventilation requirements.

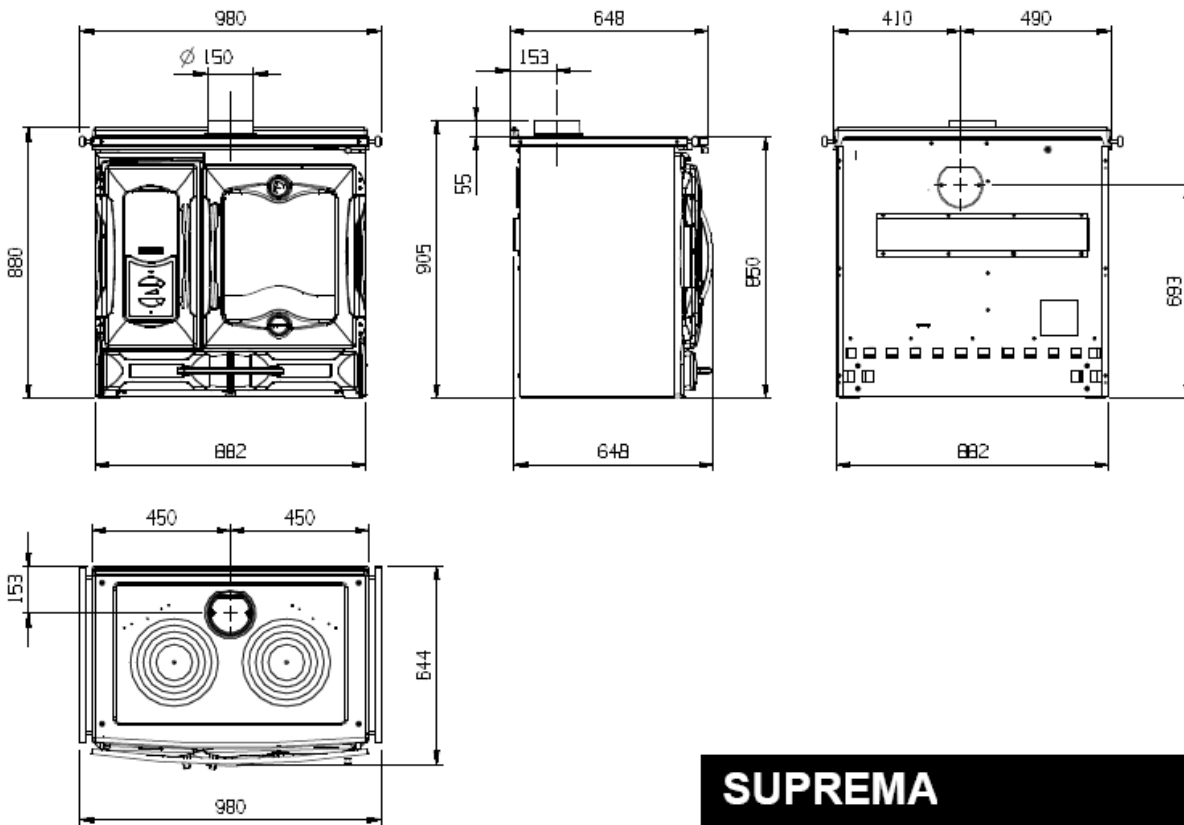
## **19.0**



### **ASSEMBLING THE HANDRAILS**

There are three handrails, one for each side and one for the front. The handrails are bolted to the sides and the front of the appliance using the bolts provided.

### **DIMENSIONS**



**SUPREMA**

**ANNUAL SERVICE RECORD**

INSTALLATION DATE OF APPLIANCE: \_\_\_\_\_

INSTALLATION ENGINEER: \_\_\_\_\_ . REG. No. \_\_\_\_\_

COMPANY NAME: \_\_\_\_\_

COMPANY ADDRESS: \_\_\_\_\_

\_\_\_\_\_

\_\_\_\_\_

POSTCODE: \_\_\_\_\_

CONTACT NUMBER \_\_\_\_\_

***1ST YEAR SERVICE completion date:*** \_\_\_\_\_

SERVICE ENGINEER: \_\_\_\_\_ . REG. No. \_\_\_\_\_

COMPANY NAME: \_\_\_\_\_

COMPANY ADDRESS: \_\_\_\_\_

\_\_\_\_\_

\_\_\_\_\_

POSTCODE: \_\_\_\_\_

***2ND YEAR SERVICE completion date:*** \_\_\_\_\_

SERVICE ENGINEER: \_\_\_\_\_ . REG. No. \_\_\_\_\_

COMPANY NAME: \_\_\_\_\_

COMPANY ADDRESS: \_\_\_\_\_

\_\_\_\_\_

\_\_\_\_\_

POSTCODE: \_\_\_\_\_

***3RD YEAR SERVICE completion date:*** \_\_\_\_\_

SERVICE ENGINEER: \_\_\_\_\_ . . REG. No. \_\_\_\_\_  
COMPANY NAME: \_\_\_\_\_  
COMPANY ADDRESS: \_\_\_\_\_  
\_\_\_\_\_  
\_\_\_\_\_  
POSTCODE: \_\_\_\_\_

***4TH YEAR SERVICE completion date:*** \_\_\_\_\_

SERVICE ENGINEER: \_\_\_\_\_ . . REG. No. \_\_\_\_\_  
COMPANY NAME: \_\_\_\_\_  
COMPANY ADDRESS: \_\_\_\_\_  
\_\_\_\_\_  
\_\_\_\_\_  
POSTCODE: \_\_\_\_\_

***5TH YEAR SERVICE completion date:*** \_\_\_\_\_

SERVICE ENGINEER: \_\_\_\_\_ . . REG. No. \_\_\_\_\_  
COMPANY NAME: \_\_\_\_\_  
COMPANY ADDRESS: \_\_\_\_\_  
\_\_\_\_\_  
\_\_\_\_\_  
POSTCODE: \_\_\_\_\_

#### LIMITED WARRANTY

This appliance must be installed and commissioned by a fully qualified, registered engineer. A "Declaration of completion Certificate" must be obtained for the installation and retained by the end user. Failure to comply with these requirements may void your warranty.

You, as the end user, have a contract by law with the supplier / dealer from whom you purchased the product. That dealer then has the same contract with the manufacturer or wholesaler and these have a contract with their suppliers.

#### ALL CLAIMS MUST FOLLOW THIS PROCEDURE.

Thank you for choosing a Product from **Broseley Fires Ltd**. This warranty gives you specific legal rights. The statutory rights of the consumer are not affected by the warranty, or the consumers' rights against the dealer arising from their sales / purchase contract.

#### The manufacturers' warranty:

Your Product will be free from defective parts, material, and workmanship at the time of its original purchase for a period of one (1) year. This Warranty will become active as of one month from the date of delivery.

This warranty does not cover any failure of the unit due to normal wear and tear, misuse, abuse, accident, illegal modification, illegal installation or repair, damage resulting from improper use or failure to maintain the product. Variations in color and texture are a natural characteristic of cast iron products. Colour changes may result from exposure to light and other elements which are a part of the aging process. These material variations and changes are not covered by this warranty.

If during the warranty period, this Product fails to operate under normal use and service, due to defects in material and / or workmanship, Broseley Fires will either repair or replace the product. The repaired or replaced product shall be warranted for the remaining period of the original warranty + the time taken to days from the date of repair, whichever is longer.

Repair or replacement may involve the use of functionally equivalent reconditioned units. Replaced parts or components will become the property of Broseley Fires.

Should you wish to claim under the warranty, please contact the supplier / dealer from whom you purchased the appliance. Do not claim directly to Broseley Fires, as they are unable to process any direct claim from an end user.

Product design and any specifications are subject to change without notice. This is due to our continuous product development and improvement. The buyer will not be entitled to request free upgrades to the new design or compensation for previously purchased products or any products on order.

- This Warranty covers all Broseley Fires costs within the Warranty period.

If the appliance remains uninstalled for a period greater than six months from date of delivery the Warranty will become active six months from the date of original invoice to the distributor.

IN NO EVENT SHALL BROSELEY FIRES BE LIABLE FOR INCIDENTAL OR CONCEQUENTIAL DAMAGES OF ANY NATURE WHATSOEVER, INCLUDING BUT NOT LIMITED TO LOST PROFITS OR COMMERCIAL LOSS, TO THE FULL EXTENT THOSE DAMAGES CAN BE DISCLAIMED BY LAW. (if applicable)

#### NON - COVERAGE OF THE GUARANTEE

The consumable items within the product are not covered by the warranty, nor is the glass

If the end-user's claim should not be covered by this guarantee, the end-user shall be liable for costs incurred by Broseley Fires such as callout and inspection costs for examination of the product, transportation costs of the product as well as any other relevant costs.

If, after having been informed about the non-coverage of the guarantee, the end-user wants to have the repairs done, the end-user shall additionally pay for any spare parts used and for the labour and transportation costs incurred. If repairs are carried out under this guarantee, the remaining guarantee period for the product shall be extended by the period of time that has elapsed since the complaint was officially logged with Broseley Fires until the repairs have been completed

A COPY OF OUR FULL TERMS AND CONDITIONS IS AVAILABLE ON REQUEST.

\*\* End-user means the natural or legal person who owns the product and who has not acquired it with a view to reselling or installing it in the course of business