



•BROSELEY•



Cast Iron
Gas & Electric Stoves



Winchester



York Midi



Canterbury



Lincoln



Serrano

Cast Iron Gas & Electric Stoves

There is nothing more relaxing or comforting than the warm, welcoming glow of a fire.

Broseley Fires is a family-run company with more than 30 years' experience in designing, developing and manufacturing home heating appliances. Our dedicated technical and design team has a passion for creating stoves which combine tradition and elegance with efficiency.

Broseley Fires has become a household name in the stove industry, manufacturing a range of multifuel, woodburning, gas and electrical stoves, as well as distributing pellet boilers and range cookers.



Key To Symbols



Dimensions



Weight



Colour



Maximum Output



Efficiency



Flue Diameter



Output to Room kW



Gas



Electric



High Efficiency

Winchester










Also available in multifuel (coal or woodburning)

High Efficiency Gas Stove

- Robust Cast Iron
- Triple aspect viewing window
- Supplied with log or coal ceramics
- Selection of door furniture
- Optional top or rear flue
- Oxygen depletion pilot system for safety, which will automatically shut off the appliance should any dangerous fumes be detected
- Fits all British standard fireplaces, Class I, II and pre-cast flue blocks
- Digital Thermostatic remote control fitted as standard
- 80% efficient
- No additional ventilation required
- Full manual control








-  Natural Gas or LPG
-  585w 610h 395d
-  76
-  Standard Metallic Black ●
-  5.5
-  80
-  125mm (5")

For Options & Measurements see pages 12-14

Slimline Electric Stove

- Robust Cast Iron
- Supplied with logs and coals for your choice of fire bed effect
- Triple aspect viewing windows
- Concealed control panel behind ash door
- Optional top flue spigot (to accept a dummy \varnothing 125mm flue pipe)
- No chimney or fireplace required
- Thermostatic Control

-  240v 13 Amp
-  585w 610h 365d
-  55
-  Standard Metallic Black ●
-  2



York Midi & Grande

For Options & Measurements see pages 12-14

Also available in multifuel (coal or woodburning)



High Efficiency York Midi Gas Stove

- Robust Cast Iron
- Oxygen depletion pilot system for safety, which will automatically shut off the appliance should any dangerous fumes be detected
- Fits all British standard fireplaces, Class I, II and pre-cast flue blocks
- 80% efficient
- No additional ventilation required
- Top or rear outlet.
- Thermostatic remote control fitted as standard
- Coal effect only
- Optional door design
- Selection of door furniture



Natural Gas or LPG



440w 580h 410d



65



Standard Metallic Black



4.6



80



125mm [5"]



240v 13 Amp



Midi - 440w 580h 310d
Grande - 610w 580h 310d



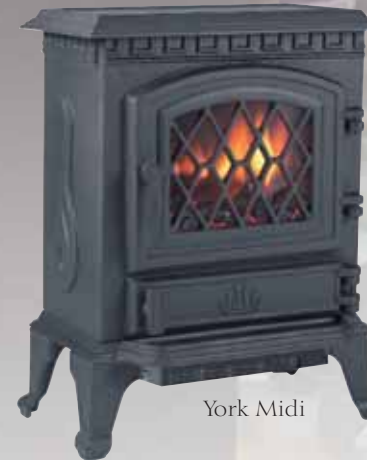
Midi - 47
Grande - 57



Standard Metallic Black



Midi - 2
Grande - 2.8



York Midi

York Midi/Grande Electric Stove

- Robust Cast Iron
- Optional door designs
- Selection of door furniture
- Concealed control panel behind ash door
- Optional top flue spigot (to accept a dummy ø 125mm flue pipe)
- No chimney or fireplace required
- York Grande - Choice of log or coal effect
York Midi - coal effect only
- Thermostatic Control



York Grande

Canterbury










For Options & Measurements see pages 12-14

High Efficiency Slimline Gas Stove






- Robust Cast Iron
- Optional door designs (not available on enamel models)
- Selection of door furniture
- Slimline design fits all standard hearths and fireplaces
- Oxygen depletion pilot system for safety, which will automatically shut off the appliance should any dangerous fumes be detected
- Fits all British standard fireplaces, Class I, II and pre-cast flue blocks
- No additional ventilation required
- Rear outlet only
- Manual rotary control
- Coal effect only
- Balanced flue version available



	Natural Gas
	575w 660h 335d
	65
	Standard Metallic Black ●
	Conventionally Flued Balanced Flued
	4.6 3.8
	80 80
	125mm [5"] 100mm [4"]

Slimline Electric Stove

- Robust Cast Iron
- Supplied with logs and coals for your choice of fire bed effect
- Optional door designs (not available on enamel versions)
- Selection of door furniture
- Thermostatic Control
- Concealed control panel behind ash door
- Optional top flue spigot (to accept a dummy ø 125mm flue pipe)
- No chimney or fireplace required

	240v 13 Amp
	575w 660h 325d
	55
	Standard Metallic Black ●
	2





High Efficiency Slimline Gas Stove

- Robust Cast Iron
- Slimline design fits all standard hearths and fireplaces
- Can be run with double doors open
- Oxygen depletion pilot system for safety, which will automatically shut off the appliance should any dangerous fumes be detected
- Fits all British standard fireplaces, Class I, II and pre-cast flue blocks
- No additional ventilation required
- Rear outlet only
- Manual rotary control
- Coal effect only
- Balanced flue version available





	Natural Gas
	570w 660h 320d
	65
	Standard Metallic Black <input type="radio"/>
	Conventionally Flued Balanced Flued
	4.6 3.8
	80 80
	125mm (5") 100mm (4")

Slimline Electric Stove

- Robust Cast Iron
- Supplied with logs and coals for your choice of fire bed effect
- Double doors - can be run with doors open
- Thermostatic Control
- Concealed control panel
- Optional top flue spigot (to accept a dummy ø 125mm flue pipe)
- No chimney or fireplace required



	240v 13 Amp
	570w 660h 320d
	55
	Standard Metallic Black <input type="radio"/>
	2

Serrano 3

For Options & Measurements see pages 12-14

Slimline Electric Stove

- Robust Cast Iron
- Thermostatic Control
- Chrome door furniture
- Concealed control panel
- Optional top flue spigot (to accept a dummy ø 125mm flue pipe)
- No chimney or fireplace required



240v 13 Amp



427w 538h 285d



52



Standard Metallic Black ●



2



Options

Cast Iron Gas Stoves

	FUEL EFFECT		HANDLES & KNOBS		DOOR INSERTS			DIGITAL REMOTE CONTROL
	COAL	LOG	BLACK	BRASS	LATTICE	ARCHED LATTICE	PLAIN	
WINCHESTER	✓	●	✓	●			✓	✓
YORK MIDI	✓		✓	●	✓	●	●	✓
CANTERBURY	✓		✓	●		●	●	✓
LINCOLN	✓							

Fitted as standard
 Option available

Cast Iron Electric Stoves

	FUEL EFFECT		HANDLES & KNOBS			DOOR INSERTS			
	COAL	LOG	BLACK	BRASS	CHROME	LATTICE	ARCHED LATTICE	PLAIN	ARCHED WINDOW
WINCHESTER	✓	✓	✓	●				✓	
YORK MIDI	✓		✓	●		✓	●	●	●
YORK GRANDE	●	●	✓	●		✓	●	●	●
CANTERBURY	✓	✓	✓	●			●	●	✓
LINCOLN	✓	✓	✓						
SERRANO 3	✓				✓				

Fitted as standard
 Option available

Door insert options - Gas & Electric



Arched Window



Plain



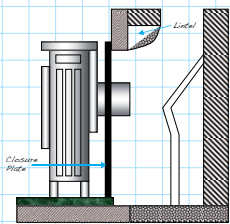
Arched Lattice



Lattice

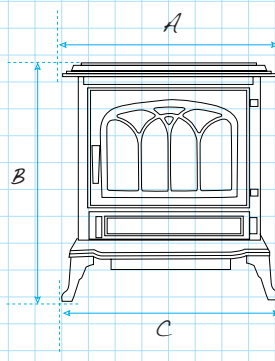


Measurements

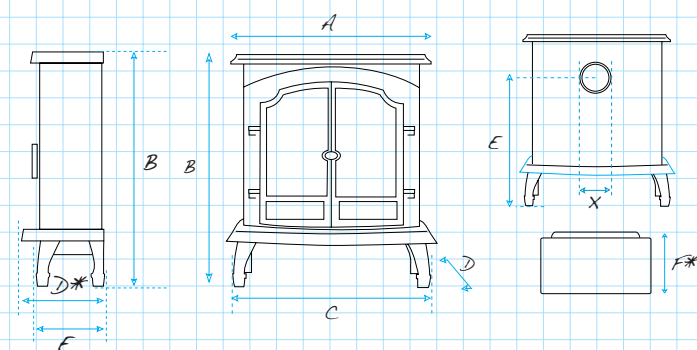


This drawing shows a typical installation of a Canterbury slimline gas stove on a shallow depth hearth. A vertical closure plate has been used to seal the fireplace opening.

Canterbury Electric

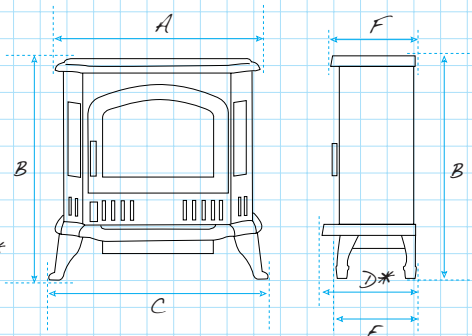
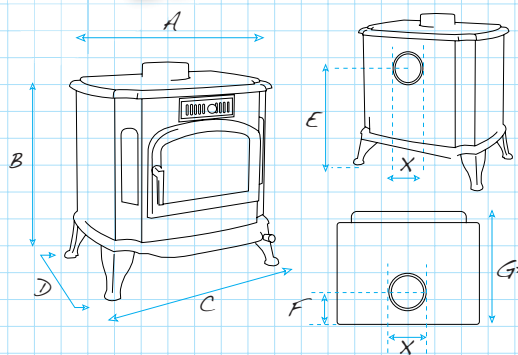


Lincoln Gas

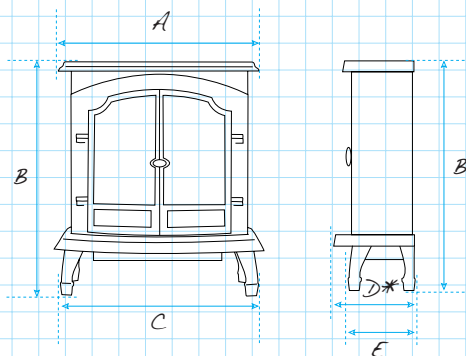


Winchester Gas

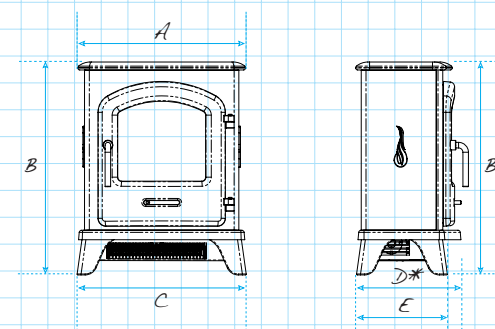
Winchester Electric



Lincoln Electric

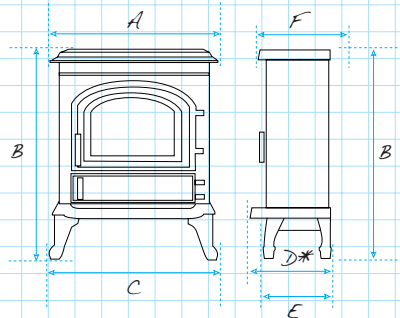
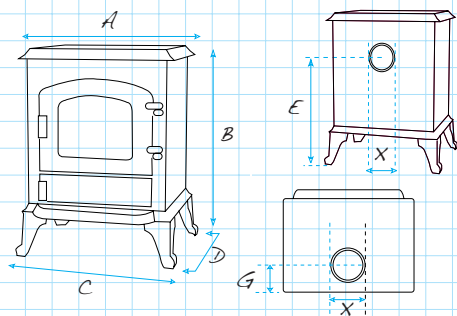


Serrano 3 Electric



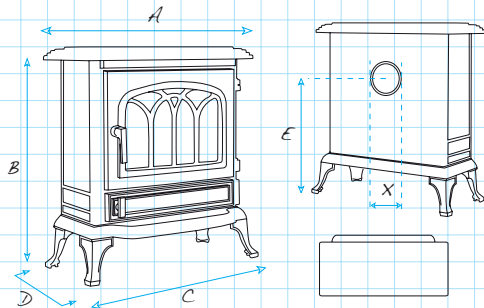
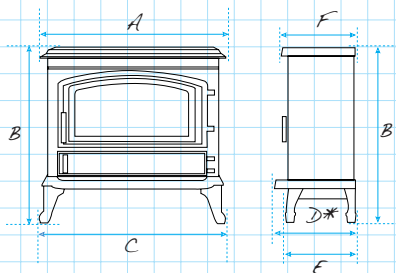
York Midi Gas

York Midi Electric



York Grande Electric

Canterbury Gas



Page	Name	A	B	C	D	E	F	G	X
3	Winchester Gas	585	610	600	400	460	150	500	125
4	Winchester Electric	585	610	640	365	290	260	-	-
5	York Midi Gas	440	580	465	410	470	-	135	125
6	York Midi Electric	440	580	465	310	260	245	-	-
6	York Grande Electric	610	580	620	310	260	245	-	-
7	Canterbury Gas	575	660	600	335	290	-	-	125
8	Canterbury Electric	575	660	600	325	280	-	-	-
9	Lincoln Gas	570	660	560	320	475	320	-	-
10	Lincoln Electric	570	660	560	320	270	-	-	-
11	Serrano 3 Electric	427	538	420	270	230	-	-	-

* Overall depth including ash lip



Broseley Fires Limited
Knights Way, Battlefield Enterprise Park
Shrewsbury SY1 3AB
Telephone: +44 (0) 1743 461 444
Fax: +44 (0) 1743 461 446

www.broseleyfires.com
www.broseleybiomass.com



GE11.2