

ORANIER

Heating Technology

EN

Operating and Installation
Instructions for
Wood Burning Stoves

ORANIER
Rota I

CE



Table of Contents

Welcome	3	ORANIER factory guarantee	15
1. Description	5	Energy Label and Product Data Sheet according to EU regulation	17
2. General	5	Declaration of performance	18
2.1 External combustion air supply	5	CE mark	19
2.2 Design	6	Appliance parameters*	Rear cover
3. Flue tube connection and setup of the wood burning stove	6		
3.1 Connection of the flue tube	6		
3.2 Setup of the wood burning stove	7		
4. Technical data	8		
5. Operating the wood burning stove	9		
5.1 General information on safety	9		
5.2 Air control	9		
5.3 Suitable fuels	10		
5.4 Commissioning	10		
5.5 Heating with lignite briquettes	11		
5.6 Heating during the transitional period	11		
5.7 Maximum input quantity and air adjustment with NHO	11		
5.8 Emptying ashes	11		
5.9 Cleaning and maintenance	12		
5.10 Chimney fire	13		
6. Room heating capacity (DIN 18893)	13		
7. Use in Smoke Control Areas	14		
7.1 The Clean Air Act 1993 and Smoke Control Areas	14		
7.2 Modifications to the air controls for use in Smoke Control Areas	14		



***Please note:**

When ordering spare parts and in the event of any service call-outs, please always specify the **model number of your appliance**.

It is worth noting down the version of your new wood burning stove now in the circular field provided in the table on the page listing the "Appliance parameters".

Thank you!

Dear Customer,

ORANIER wood burning stoves offer you sophisticated and reliable technology, functionality and an attractive design.

If, despite our careful quality checks, you find anything you are not happy with, please contact our central customer service team who will be happy to assist you.

ORANIER Heiztechnik GmbH
Oranier Straße 1
35708 Haiger / Sechshelden
 Telefon: +49 (0) 27 71 / 2630-0

Kundenservice / Ersatzteile

email customer service: service-ht@oranier.com
 email spare parts: ersatzteil-ht@oranier.com
 Telephone: +49 (0) 27 71 / 2630-360

All services can be contacted

Mon - Thu: 8.00 - 17.00 h
 Fri.: 8.00 - 15.00 h



***Please note:**

Outside of Germany, please contact your local distributor for customer service and requests related to spare parts. You can find our official distribution partners on our website www.oranier.com.

If you would like to enter a customer service order, please have the following information ready:

- Type and serial number
- Fabrication number / Inspection stamp, date:
(see the back of these operating instructions)
- Identification Code
- Date of purchase
- A photo of the back of this manual or of the nameplate
- A photo of the fault

With this information, the customer service order can be processed very quickly!

If you would like to contact us by email or telephone, please have the above information ready, so the processing of your request can be carried out quickly and easily.



WARNING!
Risk of fire due to the use of non-original spare parts!

The use of firebox linings with insufficient thermal properties may cause overheating of surrounding walls and furnishings!
Use only original spare parts!



This fireplace must not be altered in any way! The purchaser and operator of this wood burning stove is obliged to learn how to handle it correctly by reading these instructions. Our guarantee of fault-free function shall **immediately be rendered void** if the following guidelines and instructions are **not complied with**. Thank you for your understanding.



Please note:

Before setting up and operating this appliance, check for any transport damage to the functional parts (air slide, lining, seals, firebox door, pipe supports, etc.).
If any such defects are found, please contact our customer service team.



These operating instructions familiarise you with the function and handling of the stove and are part of the fireplace package. Keep the operating instructions in a safe place so that you can remind yourself of the correct operating procedures when starting a new period of heating.

Directives and standards that must be complied with:

- EN 12828 Heating systems in buildings
- DIN 13384 Thermal and fluid calculation methods for chimneys
- DIN 18160 Domestic chimneys, requirements, planning & design
- VDI 2035 Prevention of damage caused by corrosion and scale formation in water heating systems (*only for appliances transporting water*)
- 1. BImSchV Ordinance on Small Firing Installations
- FeuVo Firing Directive
- Boiler room guidelines
- Regional building regulations
- If applicable: Electrical connections must be carried out by specialist electricians as specified by VDE



Type tested in accordance with
EN 13240
Section 15a B- VG Austria
Model 1



The degree of efficiency and emission values can be found in the **Declaration of Conformity** included in these instructions.

1. Description

The wood burning stove is made of a welded steel construction. The central section features the firebox, which is lined with safety panels. The ash box is located below a sturdy cast iron trivet. Below this is a space for storing wood.

Wood burning stoves of this design work using convection, i.e. the surrounding air is sucked in by the convection shafts built into the stove, heated to a high temperature and then blown back out into the living area.

This wood burning stove has been tested in accordance with EN 13240.

2. General

Your wood burning stove must be set up with strict adherence to the relevant regional building regulations and following consultation with the local professional chimney sweep.

Once installed, he will also check that the fireplace is connected correctly.

During operation, a fireplace will draw oxygen from the room in which it is set up. It is therefore absolutely essential to ensure an adequate supply of fresh air to this room.

If the stove is set up in rooms with particularly tightly-closing windows and doors, malfunctions cannot be excluded.

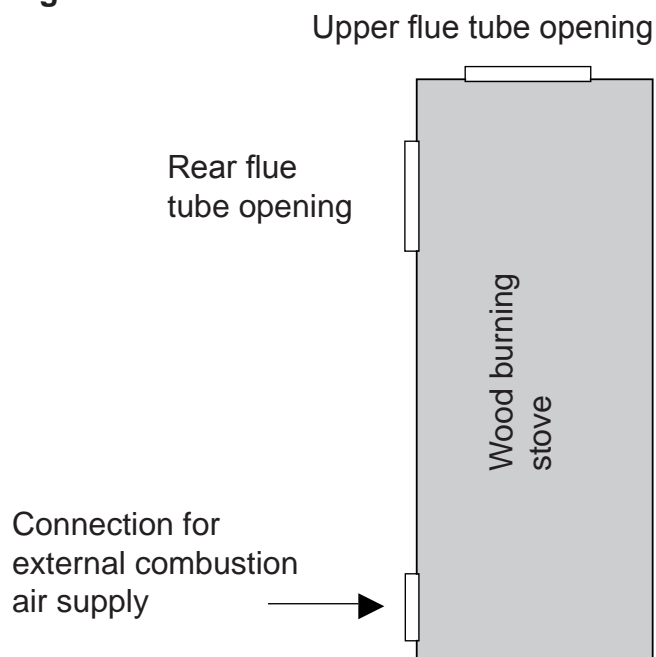
If you are uncertain whether there is sufficient air available for the stove in the room in which you plan to set it up, ask your chimney sweep for advice.

2.1 External combustion air supply

If necessary, the wood burning stove can be equipped with a connection for an external combustion air supply (See Fig. 1):

For especially well-insulated rooms, an air supply from outside can be connected. The connection pipe required for this is available as an accessory.

Fig. 1



When attaching an external combustion air supply, ensure that the pipes are tightly sealed!

The combustion air is supplied exclusively via a supply pipe with a ND of 100 mm, fitted during installation. The air pipe should be made from smooth steel or plastic (drainage pipe). The full length of the pipe should be no longer than 6 m, have no reductions in the bore diameter and include no more than 3 90° elbow pieces.

A safety grille attached in front of the external air supply opening must not be able to accidentally restrict or occlude the supply air cross-section.

It can be connected to a suitable air exhaust chimney.

In every case, care must be taken to ensure that the combustion air requirement of around 30 m³/h is met at a feed pressure of 4 Pa.

When not in use, all air slides should be kept closed to ensure that no cold air is able to circulate via the chimney. The potential build-up of condensation can be avoided by insulating the air pipe.

The chimney draught must be able to overcome the additional resistances of a firing system equipped with this setup.

2.2 Design

The wood burning stove series described in these instructions are of "Design 1".

Wood burning stoves of this design have self-closing firebox doors powered by a spring mechanism and are approved exclusively for use with the firebox closed. Wood burning stoves of this design may be connected to chimneys with multiple flues, provided the dimensions of the chimney permit this.

If the stove is connected to a chimney with multiple flues, the closure springs of the firebox door must under no circumstances be removed.

The firebox door must be able to close independently once fuel has been added so that any influence from the draught (feed pressure) and associated risks and impairments of other connected fireplaces can be avoided.

The design and condition of the chimney to which the stove is to be connected plays a key part in the fault-free operation of the wood burning stove.

In all cases, have the suitability of the chimney you intend to use checked by a specialist.

3. Flue tube connection and setup of the wood burning stove

3.1 Connection of the flue tube

Your wood burning stove can optionally be connected upwards or to the rear. To connect it to the chimney, a flue tube made from 2 mm-thick sheet steel should be used.

All of the connections between the stove and the chimney must be stable, solid, tight and free from tension. Ensure that the flue tube does not protrude into the clear cross-section of the chimney. We recommend using a liner.

The flue tube should run towards the chimney in a slight upwards incline, but at the very least horizontally.

In the case of wood burning stoves with the option of top and rear connections, the flue tube opening that is NOT used must be sealed using the covering cap provided to prevent smoke from escaping from it.



Note:

The connection pieces required for a connection on the flue gas side are not included in the scope of delivery.



Caution!

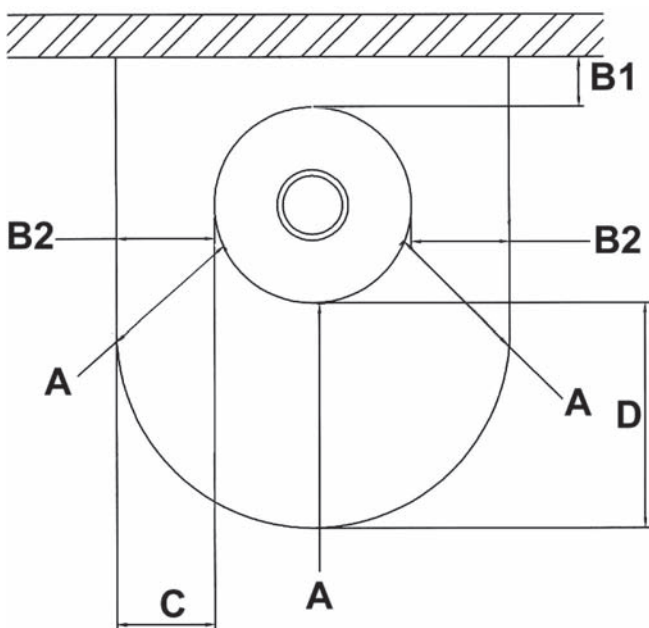
If the feed pressure is too low, or also too high, malfunctions can occur.

If the differences compared to the required feed pressure (Point 4) are greater than 25%, then corresponding measures must be carried out on the chimney.

3.2 Setup of the wood burning stove

Fire safety regulations according to FeuVo (minimum distances; see Fig. 2) must be complied with when setting up the appliance. **FeuVo** ("Ordinance on Firing Installations and Fuel Storage", or: Firing Ordinance for short) is the legal basis for setting up and operating firing installations.

Fig. 2



Minimum distances that must be maintained to combustible materials:


A: 80 cm in the radiant range of the pane
B1: 20 cm distance from the wall at the rear
B2: 20 cm distance from the wall at the side
C: 30 cm floor protection on the side of the filler opening
D: 30 cm floor protection in front of the filler opening

The rear (B1) and side (B2) minimum distances are also listed on your stove's type plate.


To non combustible materials we recommend a minimum distance (B1) of 5 cm.

Please note these are the minimum clearances required for the product, additional clearance may be necessary for maintenance and


servicing purposes. A Site survey should always be carried out to ensure the suitability of the surrounding surfaces as certain materials such as tile and marble may need additional clearance or replacing entirely, consult your heating engineer for specific advice.



Caution!
For your own safety, you must comply with the minimum distances specified to installation walls, flammable furnishings and objects and for protection of the flooring!



Note:
 Before heating the system for the first time, please remove all documents and accessory parts from the firebox and ash box.
 Remove all stickers so there is no residue from the viewing pane.



Caution!
Ensure before setup that the floor (setup surface) is able to support the weight of the stove. If necessary, use a suitable supporting plate to distribute the weight.

4. Technical data

Wood burning stove type:	Rota I	Exhaust mass flow:	4.6 g/s
Design:	1	Feed pressure for NHO:	12.0 Pa
Nominal heat output:	5.0 kW	Exhaust temperature at outlet:	254 °C
Heat output range:	3.0 - 5.4 kW	Approved fuels:	- Firewood < 25% moisture content (preferred fuel) - Wood briquettes < 12% moisture content, - Lignite briquettes
Energy efficiency class:	A	Diameter of pipe outlet:	150 mm
Energy efficiency index EEI:	106	Diameter of flue:	150 mm
Room heating capacity DIN 18893 max.:	88 m ³	Top outlet (Base - LB outlet):	973 mm
Height (incl. cover plate 30 mm):	988 mm	Top outlet (FB - central outlet):	232 mm
Width:	Ø 463 mm	Rear outlet (Floor - LB outlet):	759 mm
Depth:	Ø 463 mm	Safety distance at rear:	200 mm
Firebox H / W / D:	400 / 340 / 340 mm	At the side:	200 mm
Filler opening H / W:	320 / 280 mm	In the radiant range of the viewing pane:	800 mm
Max. firewood length:	30 cm	Firebox lining:	Vermiculite
Weight of glass / stone:	115 / 130 kg	Flat trivet:	Yes
Suitable for constant operation:	Yes	Locking of the firebox door:	Double
Tested and approved according to standard:	EN 13240	Primary air control:	Yes
1. BImSchV Stage 2:	Yes	Secondary air control:	
Regensburg Standard:	Yes	Slider ventilation:	Yes
Munich Standard:	Yes	Tertiary air:	Yes
Section 15a B-VG Austria:	Yes	Diameter of outlet of external combustion air supply:	100 mm
VKF Switzerland:	25605	Floor to centre outlet:	300 mm
Ext. combustion air supply:	Yes		
Emissions and efficiency values (13% O ₂ ; wood / BB7):			
Efficiency (wood / BB7):	80.2 / 80.4 %		
CO:	883 / 425 mg/m ³		
NOx:	72 / 136 mg/m ³		
CnHm:	49 / 66 mg/m ³		
Dust:	30 / 34 mg/m ³		

For Austria: For efficiency and emissions values, see "CE mark".

5. Operating the wood burning stove



5.1 General safety instructions

To ensure the safe operation of your wood burning stove, it is essential to follow the safety instructions below:

The wood burning stove may only be operated in accordance with these operating instructions. Always wear fireproof gloves!

The operation of the air slider, the opening and closing of the firebox door and the removal of the trivet to empty the ashes should always be carried out using the tool provided - **Failure to do so risks injury and burns!**

Heating mode is only permitted when the firebox door is closed.

Only use the fuels specified.

Do not place any cans or similar containers in the firebox - **danger of explosion!**

Never extinguish a stove fire with water!

Warn children about the dangers of hot surfaces!

Never leave children unsupervised when the stove is hot!

Never use flammable liquids (accelerants) to start a fire!

The firebox door must only be opened to add fuel!

Where operation depends on the supply of room air, check that there is an adequate supply of fresh air to the room (combustion air network).

The wood burning stove must only be heated by adults! Ensure that children are never left alone near the stove and never leave a fireplace unattended for a long period of time!

Never close all of the air sliders while the stove is still operational!

There is a risk of the explosive ignition of unburnt fuel gases!



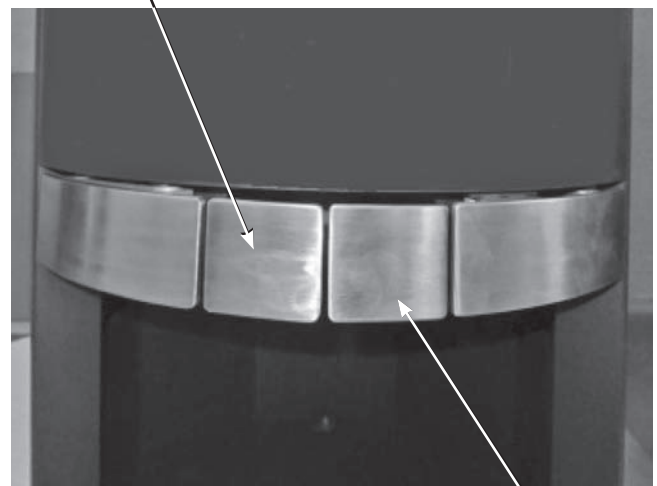
Caution! The burning of fuel releases heat energy, which leads to the significant heating of surfaces, firebox doors,

operating handles, viewing panes and flues. Touching these components without suitable safety or auxiliary equipment (use fireproof gloves!) is forbidden while the stove is heating. DANGER OF BURNS!

5.2 Air control

Secondary air control

(Pushed all the way in = open
Pushed all the way out = closed)



Primary air control

(Pushed all the way in = open
Pushed all the way out = closed)

5.3 Suitable fuels

The wood burning stove is suitable for burning untreated firewood, wood briquettes and lignite briquettes.

Classic stove woods include beech and birch. These types of wood have the highest thermal value and burn cleanly, provided they have been stored in a dry place.

Do not burn:

- Damp wood or wood that has been treated with wood preservatives
- Sawdust or fine wood chippings
- Paper or cardboard (except as kindling)
- Bark or chipboard waste
- Plastics or other waste
- Freshly felled timber should be split and stored for 12-18 months away from rain in the outdoors

According to the Federal Emissions Act, firewood must have a residual moisture content of max. 20%.

5.4 Commissioning

- Open the primary and secondary air controls as far as they will go! Ensure that any throttle cap installed in the connecting piece is also fully opened.

- Place 2-3 firelighters in the middle of the trivet, and layer kindling and small shavings of wood over them.

- Ignite the firelighters and to begin with just hold the firebox door against the firebox (do not close it completely!). This prevents the resulting flue gases from condensing on the viewing pane that is still cold.

- After around 5-10 minutes, once the fire has taken hold well, carefully open the firebox door and place 1 to 2 pieces of wood, of around the thickness of your arm, inside. Now close the firebox door completely.

- Once the added volume of fuel is burning well and the stove has reached its operating temperature, gradually reduce the primary air supply until flames are still visible. With an optimum chimney draught and fuel quality, it may even be possible to shut off the primary air completely.

- Carefully open the firebox door again only if the fuel has burned away and you wish to add more fuel.

- We recommend keeping the secondary air controller open as much as possible, so that as much "pane flush air" as possible can prevent soot particles from depositing on the viewing pane.

- You should therefore control the warmth requirements of your room using the volume of fuel added. Excessive throttled operation leads to unnecessary burdens on the environment, as well as soot build-up in the firebox, on the viewing pane and in the flue tube.



Please note:

During throttled operation, flue gas emissions rise.

The cleanliness of the viewing pane is also impaired.

5.5 Heating with lignite briquettes

- First create a base pile of embers with wood.
- Then place 2 lignite briquettes cross-ways in the firebox. Leave a little space between the briquettes.

5.6 Heating during the transitional period

The chimney draught is the "motor" of a wood burning stove. It is created by the difference between the outside temperature and the room temperature: warm air is less dense than cold air, causing it to rise. The vacuum created as a result of this sucks in new air.

When outdoor temperatures are above 16°C, malfunctions can occur due to a lack of chimney draught (feed pressure).

In this case, use less fuel and open the primary air controller wider.

5.7 Feed quantities and air adjustment with nominal heat output (NHO)

For wood / wood briquette fuel:

Fuel quantity: 2 logs / piece (approx. 1.2 kg)

Primary air setting: Closed

Secondary air setting: Open

For lignite briquette fuel:

Fuel quantity: 2 briquettes (approx. 1.3 kg)

Primary air setting: 1/2 open

Secondary air setting: 1/2 open



Note:

The firebox should be loaded carefully when heating up a cold stove and heated with a relatively small flame,

so that all materials can adjust slowly to the development of heat. This will prevent cracks in the firebricks, paint damage and material warping.



Important notes on low-load operation:

Avoid low-load operation with maximum fuel quantities and throttling of the heat output by adjusting the air sliders!

If only a small amount of heat is required, use less fuel and ensure that the flame development is brisk.



Note:

During the initial heating process, drying of the coating can lead to increased odours being given off. This will diminish after a short while, however. You should therefore open the windows in the room to ventilate it to begin with.

5.8 Emptying ashes

Ensure that the ash box is emptied promptly so that the cinder cones do not adhere too tightly to the trivet.

Otherwise there is a risk that the trivet will not cool down sufficiently and will be damaged as a result.

Before emptying the ashes, always check for any residual embers! Even if the outer surfaces of the ashes are cool, there may be residual embers below the surface that could cause a fire in the waste bin!

5.9 Cleaning and maintenance



Caution!
The wood burning stove must only be cleaned when it has fully cooled!

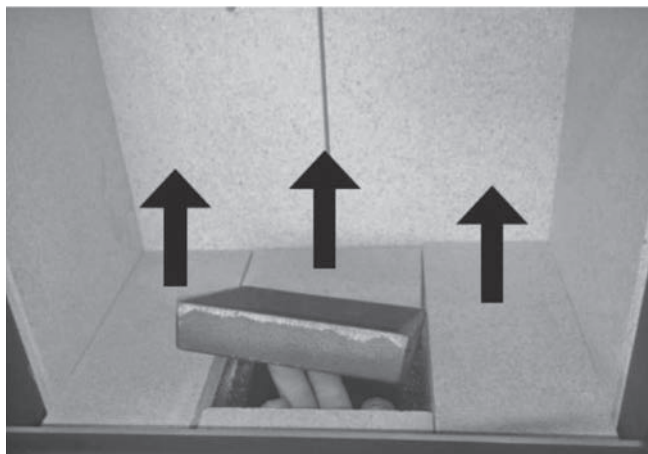
At least once a year, and more often if required, the soot and ash deposits in the flue tube and firebox, as well as the flue gas routes, should be removed.

A dust and ash vacuum is ideal for this task. Dirt on the viewing pane can be removed with a conventional window cleaning product.

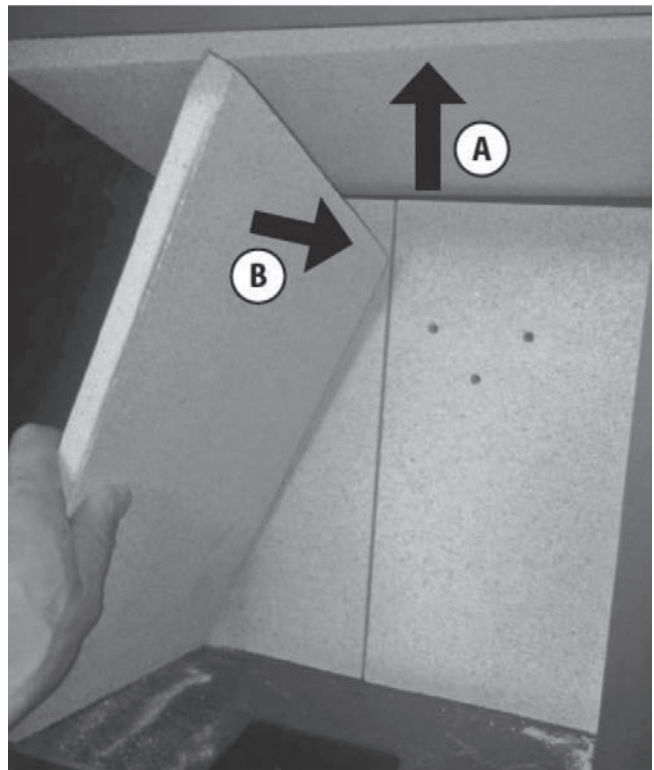
Removing the firebox lining and deflectors for cleaning

For easier cleaning all internal firebricks and deflectors could be removed.

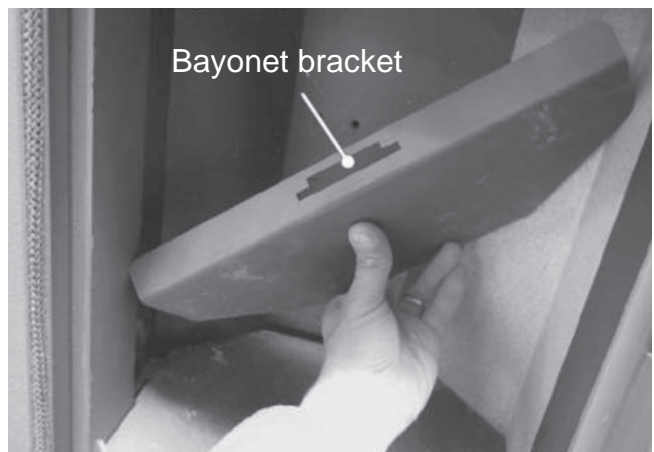
- Push the trivet from beneath and remove it
- Afterwards remove all bottom firebricks.



- Raise the vermiculite deflector a little (A) and remove the left piece of the firebox lining (B) and then remove the other pieces of the lining and finally the vermiculite deflector



- Above the vermiculite deflector a steel deflector is assembled
- Push the steel deflector slightly upwards and then pull it backwards out of the bayonet bracket.



The firebox lining is replaced in the same order, but reversed.



Note: The surfaces of the stove should not be cleaned with "aggressive" cleaning agents. Use only a clean, dry duster.



Note: The paint coating on the stove only achieves its final stability after several cycles of heating to the nominal heat output (NHO). To avoid damaging the paint, surface cleaning is recommended only after multiple heating cycles.

5.10 Chimney fire

If an unsuitable fuel or a fuel that is too wet is used, deposits in the chimney can ignite, causing a chimney fire.

A chimney or stove fire can occur if soot deposits in the chimney, caused by incomplete combustion, ignite.



Caution - chimney fire!
Immediately shut off all air openings to the wood burning stove and call the fire brigade!

A specialist must later check that the entire exhaust system has not suffered any cracks or leaks as a result of the chimney fire.

6. Room heating capacity (compliant with DIN 18893)

Good:	88 m ³
Average:	53 m ³
Not good:	34 m ³

(The values specified apply to rooms that do not comply with the heat insulation ordinance. For rooms that comply with the current heat insulation ordinance, lower performances are required.)

7. Use in Smoke Control Areas

7.1 The Clean Air Act 1993 and Smoke Control Areas

Under the Clean Air Act local authorities may declare the whole or part of the district of the authority to be a smoke control area. It is an offence to emit smoke from a chimney of a building, from a furnace or from any fixed boiler if located in a designated smoke control area. It is also an offence to acquire an “unauthorised fuel” for use within a smoke control area unless it is used in an “exempt” appliance (“exempted” from the controls which generally apply in the smoke control area).

In England appliances are exempted by publication on a list by the Secretary of State in accordance with changes made to sections 20 and 21 of the Clean Air Act 1993 by section 15 of the Deregulation Act 2015. Similarly in Scotland appliances are exempted by publication on a list by Scottish Ministers under section 50 of the Regulatory Reform (Scotland) Act 2014.

In Wales and Northern Ireland these are authorised by regulations made by Welsh Ministers and by the Department of the Environment respectively.

Further information on the requirements of the Clean Air Act can be found here at:

<https://www.gov.uk/smoke-control-area-rules>

Your local authority is responsible for implementing the Clean Air Act 1993 including designation and supervision of smoke control areas and you can contact them for details of Clean Air Act requirements

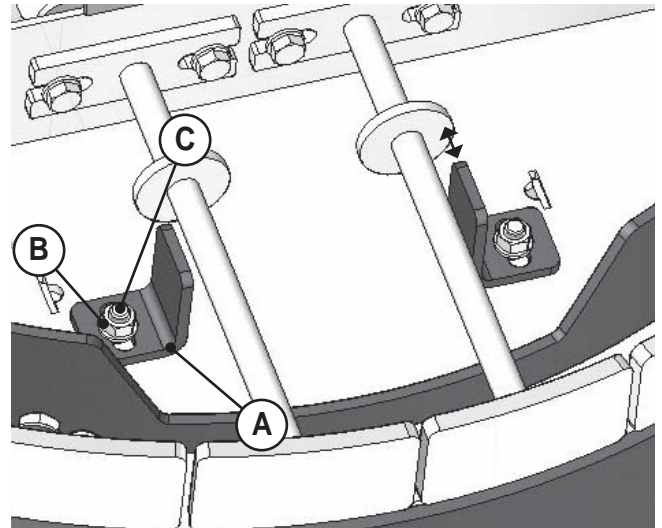
7.2 Modifications to the air controls for use in Smoke Control Areas

For use in Smoke Control Areas, this appliance requires modifications to the air controls to prevent their full closure to prevent smoke emissions at low output.

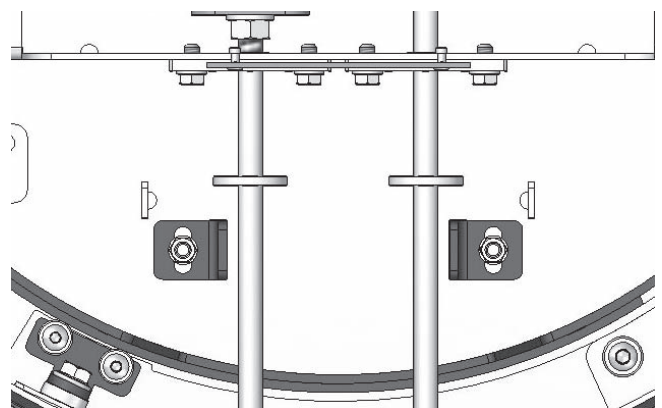
The original **ORANIER DEFRA Stop** consists of 2x **angled stoppers (A)** and 2x **M6 hex nuts (B)**.

To mount the stoppers your ORANIER stove is already fitted with 2x **threaded bolts (C)**, located behind the air controls.

Put 2x **angled stoppers (A)** with their oblonged holes onto 2x **threaded bolts (C)** and screw them tightly with 2x **M6 hex nuts (B)**.



Make sure that the bolts are positioned in the center of the oblonged holes of the **angled stoppers (A)** and both are carefully parallel aligned to the rods of the air controls.



ORANIER factory guarantee

Proof of purchase is required in every case in order to access guarantee services.

Regardless of the dealer's obligations arising from the contract of purchase, we offer consumers a factory guarantee subject to the following conditions for our ORANIER appliances:

The ORANIER guarantee extends to the free-of-charge repair of the appliance or faulty parts. Entitlement to free replacements applies only to parts that show material or workmanship defects.

All direct labour and material costs required to resolve such defects will be taken care of.

Further claims are excluded.

ORANIER is not liable for any direct or indirect damages caused by the use of non-original spare parts.

These guarantee conditions only apply to Germany and Austria. For all other countries, separate conditions apply to the respective country company.

1. The ORANIER factory guarantee runs for 24 months and starts from the moment of handover, which must be documented with an invoice or delivery note.

2. The factory guarantee covers all functional defects which are demonstrably attributable to manufacturing or material problems, despite correct connection, proper use and compliance with the applicable ORANIER installation instructions and operating instructions. Such defects will be resolved by our customer service team. Enamel and paint damage will only be covered by this guarantee if they appear within 2 weeks of the handover of the ORANIER appliance to our customer service team.

Transport damage (this must be claimed from the transporting company in accordance with their terms and conditions), as well as setup, calibration and adjustment work on gas consumption installations, are not covered by this factory guarantee.

3. Claims against the factory guarantee do not prolong the guarantee period either for the ORANIER appliance or any newly installed parts. Swapped parts shall become our property.

4. Our customer service team will decide on the location, nature and scope of the repairs to be carried out or exchange of an appliance as it deems economically appropriate.

Unless otherwise agreed, our central customer service team should be notified. The repair will generally be carried out at the setup location, or under exceptional circumstances at our customer service workshop. Appliances due for repair must be made accessible so that no damage can occur to furniture, floor coverings, etc.

5. The spare parts and labour time required for the repair will not be charged.

6. We accept no liability for damage or defects to appliances and their parts caused by:

- External chemical or physical influences during transport, storage, setup and use (e.g. damaged caused by quenching with water, overflowing feed, condensation, overheating). Hairline crack formation on enamelled or glazed parts does not constitute a quality defect.

- Incorrect choice of size.

- Failure to comply with our setup and operating instructions, the applicable general building regulations and local requirements of the responsible authorities, gas and electricity supply companies.

This also includes defects to the exhaust gas pipes (stove pipe, inadequate or excessive chimney draught) and any incorrectly carried-out repair work, especially the undertaking of modifications to the appliance, its fittings and its supply cables or pipelines.

- The use of unsuitable fuels in appliances fired with coal and heating oil; unsuitable gas characteristics and gas pressure fluctuations for gas-powered appliances; unusual voltage fluctuations compared to the nominal voltage for electricity-powered appliances.

- Incorrect operation and overload, resulting in overheating of the appliances, incorrect handling, inadequate maintenance, inadequate cleaning of the appliances or their parts; use of unsuitable cleaning agents.

- Wear of the parts made from iron and firebrick exposed directly to the flames (e.g. cast steel or firebrick linings).

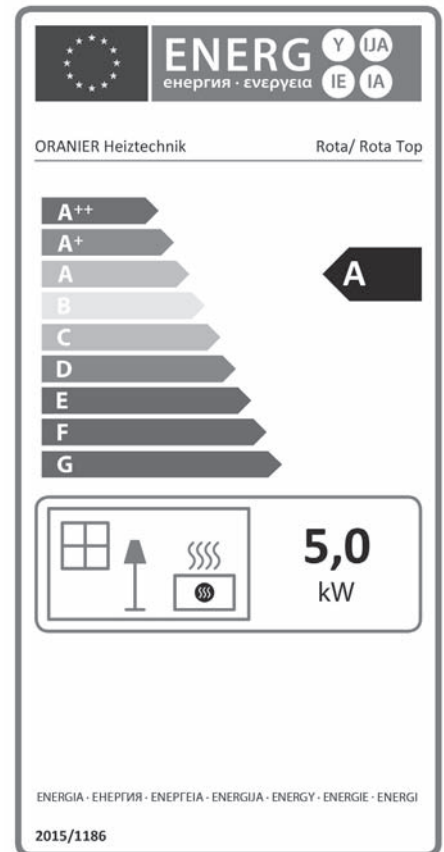
We are not responsible for direct or indirect damage caused by the appliances. This includes the build-up of dirt in the room caused by decomposition products of organic dust components and their pyrolytic products which can be deposited as a dark layer on carpets, furniture, textiles and stove elements.

If the resolution of a defect is not covered by our guarantee, then the consumer must pay the costs of the engineer's visit and the repair work carried out.

ORANIER Heiztechnik GmbH
Oranier Strasse 1
35708 Haiger / Sechshelden

Energy Label and Product Data Sheet according to EU regulations

Rota I



Produktdatenblatt gemäß (EU) 2015/1186 Anhang IV	
<i>Product data sheet in accordance to (EU) 2015/1186 Annex IV/ Label énergétique et fiche produit selon les normes (EU) 2015/1186 Annexe IV</i>	
Warenzeichen/ trademark/ marque	ORANIER Heiztechnik GmbH
Modell/ model/ modèle	Rota 4793
Energieeffizienzklasse/ energy efficiency class/ classe énergétique	A
Direkte Wärmeleistung/ Direct heat output/ Puissance thermique directe	5,0 kW
Indirekte Wärmeleistung/ Indirect heat output/ Puissance thermique indirecte	- kW
Energieeffizienzindex (EEI)/ Energy efficiency index/ Indice d'efficacité énergétique	106
Brennstoff-Energieeffizienz bei Nennwärmeleistung <i>Energy efficiency at nominal heat output/ Efficacité énergétique du combustible à puissance</i>	80,2 %
Brennstoff-Energieeffizienz bei Mindestlast/ <i>Energy efficiency at minimum load/ Efficacité énergétique du combustible à charge minimum</i>	- %
Hinweise zu besonderen Vorkehrungen für Zusammenbau, Installation oder Wartung des Einzelraumheizgerätes./ Specific precautions that shall be taken when assembling, installing or maintaining the local space heater./ Mesures préventives recommandées pour le montage, l'installation ou la maintenance du dispositif de chauffage centralisé.	
Das Gerät ist nur für die Wohnraumbeheizung zugelassen. <i>The appliance is approved for domestic heating only./ L'appareil ne peut être utilisé que dans un foyer d'habitation.</i>	
Diese Feuerstätte darf nicht verändert werden! <i>The appliance must not be modified! / L'appareil ne doit en aucun cas subir de modifications!</i>	
Das Gerät muss auf einer nicht brennbaren Unterlage und unter Einhaltung der vorgeschriebenen Sicherheitsabstände aufgestellt werden./ <i>The appliance must be placed on a non-flammable base and in compliance with the prescribed safety distances./ L'appareil doit être installé sur une plaque de protection ininflammable. Veuillez également respecter les distances de sécurité en vigueur.</i>	
Das Gerät ist regelmäßig zu reinigen. <i>The appliance has to be cleaned regularly./ Veuillez nettoyer l'appareil régulièrement.</i>	

Declaration of Performance

Harmonisierte technische Spezifikationen <i>harmonized technical specification</i>	EN 13240:2001/ A2:2004/ AC:2007	
Wesentliche Merkmale <i>main features</i>	Leistung <i>performance</i>	
Brandsicherheit <i>fire safety</i>	Erfüllt <i>pass</i>	
Brandverhalten <i>reaction to fire</i>	A1	
Abstand zu brennbaren Materialien <i>safety distance to combustible material</i>	Mindestabstand in mm/ <i>minimum distances in mm</i>	
	Hinten/ <i>rear</i>	200
	Seite/ <i>side</i>	200
	Decke/ <i>ceiling</i>	-
	Front/ <i>front</i>	800
	Boden/ <i>floor</i>	0
Brandgefahr durch Herausfallen von brennendem Brennstoff <i>risk of burning fuel falling out</i>	Erfüllt <i>pass</i>	
CO-Emission der Verbrennungsprodukte <i>emission of combustion products</i>	Scheitholz/ <i>firewood</i>	883 mg/m ³
	Braunkohlebriketts/ <i>lignite briquettes</i>	425 mg/m ³
Oberflächentemperatur <i>surface temperature</i>	Erfüllt <i>pass</i>	
Elektrische Sicherheit <i>electrical safety</i>	Erfüllt <i>pass</i>	
Freisetzung von gefährlichen Stoffen <i>release of dangerous substance</i>	NPD	
Max. Wasserbetriebsdruck <i>max. operation pressure of water</i>	-	
Abgastemperatur bei Nennwärmeleistung <i>flue gas temperature at nominal heat output</i>	Scheitholz/ <i>firewood</i>	253 °C
	Braunkohlebriketts/ <i>lignite briquettes</i>	254 °C
Mechanische Festigkeit (Tragfähigkeit) <i>mechanical resistance</i>	NPD	
Wärmeleistung <i>thermal output</i>		
Nennwärmeleistung/ <i>nominal heat output</i>	Scheitholz/ <i>firewood</i>	5,0 kW
	Braunkohlebriketts/ <i>lignite briquettes</i>	5,0 kW
Raumwärmeleistung/ <i>room heating output</i>	Scheitholz/ <i>firewood</i>	5,0 kW
	Braunkohlebriketts/ <i>lignite briquettes</i>	5,0 kW
Wasserwärmeleistung/ <i>water heating output</i>	-	
Wirkungsgrad <i>efficiency</i>	Scheitholz/ <i>firewood</i>	80,2 %
	Braunkohlebriketts/ <i>lignite briquettes</i>	80,4 %



CE - Kennzeichnung

(CE marking)
(Marquage CE)

Der Hersteller
(The manufacturer)
(Le fabricant)

ORANIER Heiztechnik GmbH
Werk 10
Sechsheldener Str. 122
35708 Haiger

erklärt in alleiniger Verantwortung, dass das Produkt „Raumheizer für feste Brennstoffe“ mit der Handelsbezeichnung
(declares under our responsibility that the produkt "Room heater by solid fuel" with trade name)
(certifie par la présente que le produit « appareil de chauffage utilisant du combustible solide » portant la désignation commerciale)

Rota

konform ist mit den Bestimmungen der
(is in conformity with the requirements of)
(est conforme aux dispositions de)

Verordnung (EU) Nr. 305/2011
(EU-Construction products directive (EU) Nr. 305/2011)
(la directive CE sur les produits de construction (EU) Nr. 305/2011)

und mit der folgenden harmonisierten Norm übereinstimmt:
(and with the following European harmonised standards):
(et qu'il satisfait aux normes harmonisées suivantes) :

EN 13240:2005/ A2:2004/ AC:2007

Eine Prüfung des „Raumheizers für feste Brennstoffe“ auf Übereinstimmung mit den Anforderungen der Norm erfolgte bei der
notifizierten Prüfstelle:

(Test for " Room- heater fired by solid fuel" according with Standard requirements carried out by the notified body):
(La conformité de l' «appareil de chauffage utilisant du combustible solide » avec les exigences de la norme a été contrôlée auprès de l'organisme de contrôle agréé):

Name der anerkannten Prüfstelle:

(Name of recognized testing lab) (Nom de l'organisme de contrôle agréé)

TÜV SÜD KERMI Kft.
József krt. József Krt. 6. 6.
HU 1088 Budapest
Notified body : 1417
Test report : R-484885-3

Wirkungsgrad und Emissionen

(Efficacy and Emissions) (Rendement et émissions)

Brennstoff Fuel, Combustible	Wirkungsgrad % (Efficiency %) (Rendement %)	CO mg/m ³ 13% O ₂	NOx mg/m ³ 13% O ₂	CnHm mg/m ³ 13% O ₂	Staub, dust particles, particules fines mg/m ³ 13% O ₂
Holz, Wood, Bois	80,2	883	72	49	30
Braunkohlebriketts, Brown coal briquettes Briquettes lignite	80,4	425	136	66	34

Österreich (Austria, Autriche):

Brennstoff Fuel, Combustible	Wirkungsgrad % (Efficiency %) (Rendement %)	CO mg/MJ	NOx mg/MJ	CnHm mg/MJ	Staub, dust particles, particules fines mg/MJ
Holz, Wood, Bois	80,2	567	46	31	20
Braunkohlebriketts, Brown coal briquettes Briquettes lignite	80,4	250	80	39	20

Schweiz, switzerland, suisse:

VKF – Nr.: 25605

Haiger, 03.07.2014

Geschäftsleitung

(Company Management)
(La Direction de l'entreprise)

Die Sicherheitshinweise der dem Produkt beiliegenden Bedienungsanleitung/Montageanleitung sind zu beachten.

(Follow the safety informations in the installation and operation instructions)
(Veuillez vous conformer aux consignes d'installation et d'utilisation contenues dans ce manuel)

Appliance parameters

Please always specify when ordering spare parts and in the event of any service call-outs!

In the event of a service call-out, please **only quote the model number of your stove**. It is worth noting down the version of your new wood burning stove now in the circular field provided in the table below.

Model	Rota I
Serial	4793 05 A05
Production No.	
Inspection stamp, date:	